



High-frequency transformer

EE55 Series

Parameters/Dimensions:

EE55 Type 1

Information:

Shape:EE55

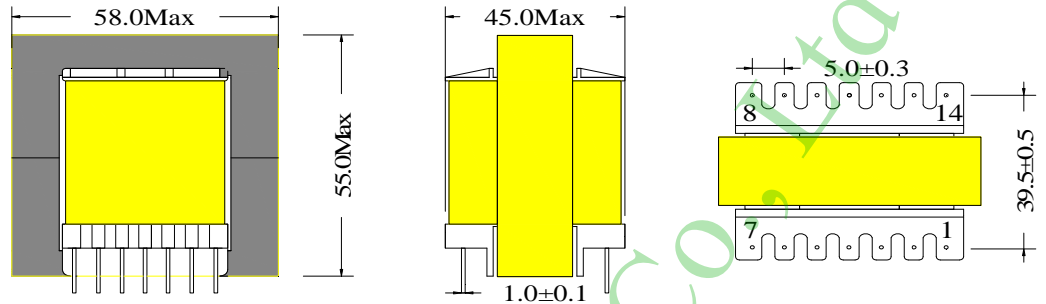
1 Power:660~800W

2 Mounting Orientation: Vertical

3 Size: 58 (W) * 45 (L) * 55 (H)

4 Effective Ae (mm²):

352.0~422.0



EE55 Type 2

Information:

Shape:EE55

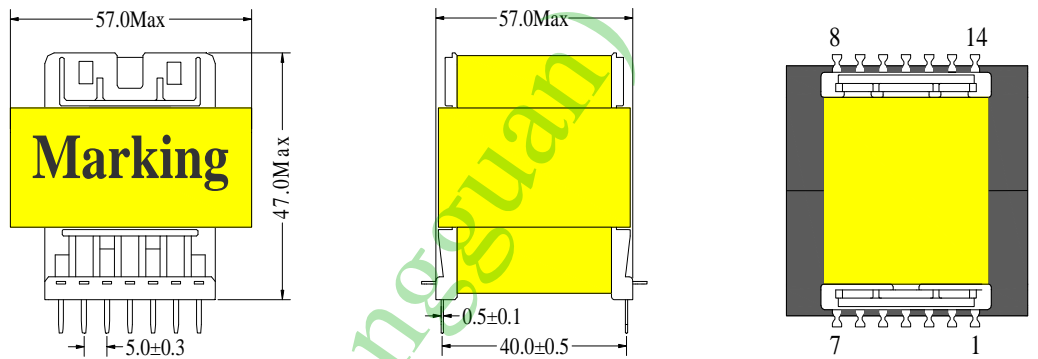
1 Power:660~800W

2 Mounting Orientation: Vertical

3 Size: 57 (W) * 57 (L) * 47 (H)

4 Effective Ae (mm²):

352.0~422.0



EE55 Type 3

Information:

Shape:EE55

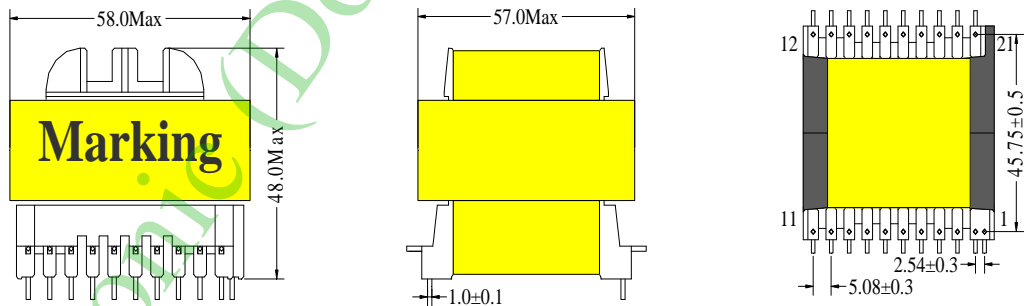
1 Power:660~800W

2 Mounting Orientation: Vertical

3 Size: 58 (W) * 57 (L) * 48 (H)

4 Effective Ae (mm²):

352.0~422.0



EE55 Type 3

Information:

Shape:EE55

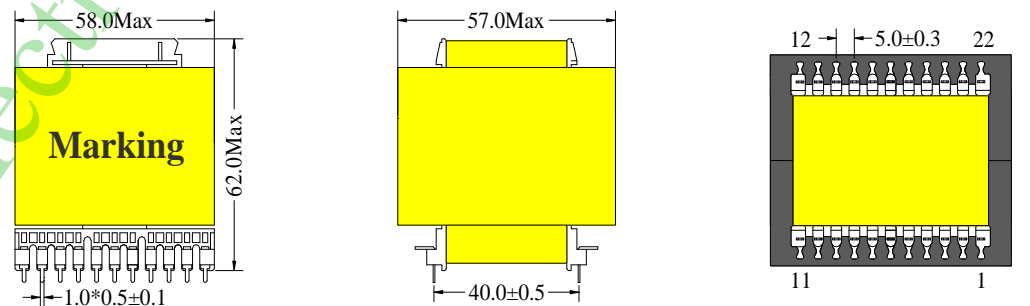
1 Power:660~800W

2 Mounting Orientation: Vertical

3 Size: 58 (W) * 57 (L) * 62 (H)

4 Effective Ae (mm²):

352.0~422.0



EE55 Type 3

Information:

Shape:EE55

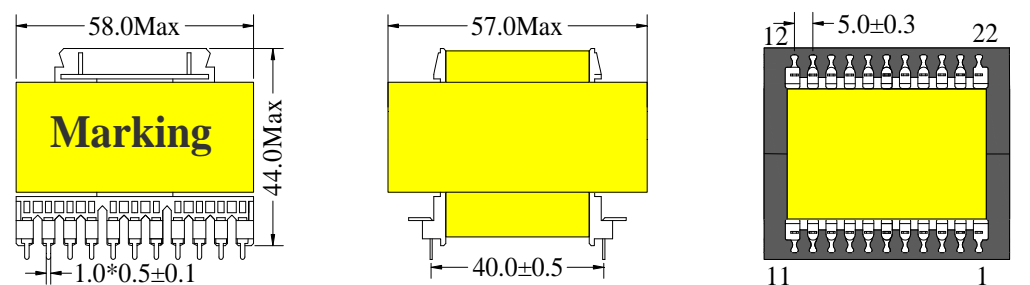
1 Power:660~800W

2 Mounting Orientation: Vertical

3 Size: 58 (W) * 57 (L) * 44 (H)

4 Effective Ae (mm²):

352.0~422.0





High-frequency transformer

EE55 Series

Note:

Bobbin type listed in the traditional style, transformer design parameters to customer needs or to inject prevail.

EE series high-frequency transformer features:

Lead space, easy winding wire. Applicable to a wide range of high frequency, wide operating voltage range, output power, good thermal stability

Uses:

Program-controlled switches are widely used in power supplies, LCD power supply, UPS power inverter power supply, computer power, energy-saving lamps and other fields.

P&Z Electronic (Dongguan) Co., Ltd